

G&S Valves Ltd.

Alder Works, Catteshall Lane, Godalming, Surrey. GU7 1JS England  
Ph. +44 (0) 1483415444, Fax: +44 (0) 01483 426891  
Web. www.GSValves.co.uk, E-Mail GSValves@aol.com



Drawn: A.R. Grenside

Weight: 1.64 Grams

Customer:

Thomas Eversberg

Issue: 1

A3

Saved: Yes

Date: 11.07.2022

Material: EN24T

Dwg No.

11304

Scale: 4:1

1 of 1

This drawing and any information or descriptive material set out on it are the confidential and copyright property of G&S Valves Ltd. and MUST NOT BE DISCLOSED, COPIED, LOANED in whole or part or used for any purpose without the written permission of G&S Valves Ltd.

Unless Otherwise Stated:  
Linear Tol.: ±0.2, Angular Tol.: 0°15'  
Surface Finish: Ground 16 CLA, Turned 40 CLA

Drawing Produced In  
Accordance With: BS8888

100% Inspection xxx

xxx

Super Polished

xxx

ISIR Report

xxx

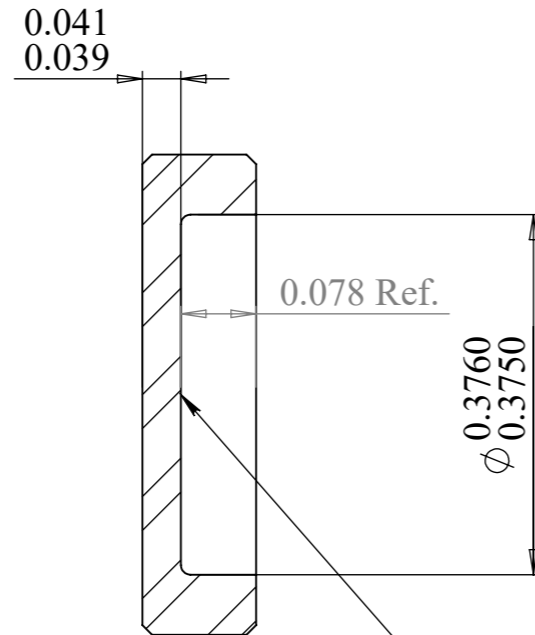
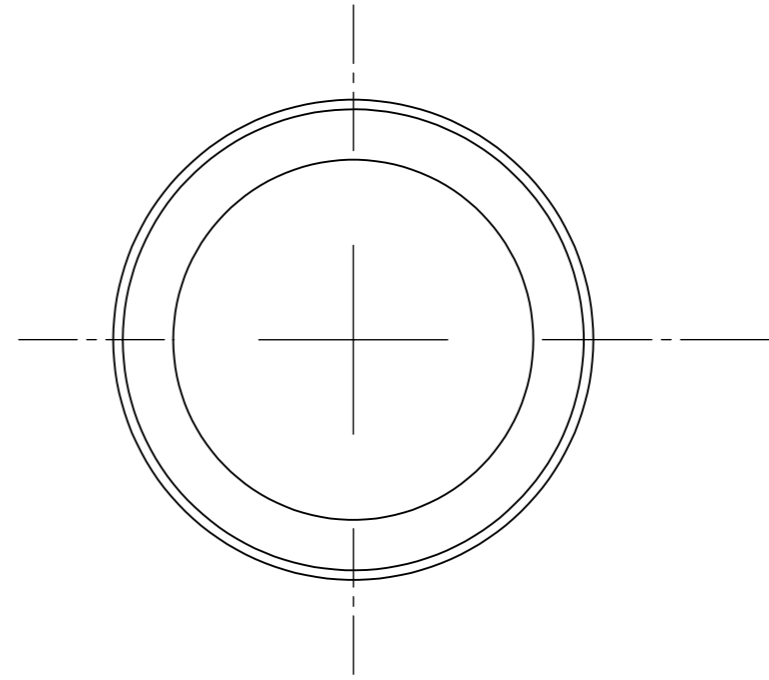
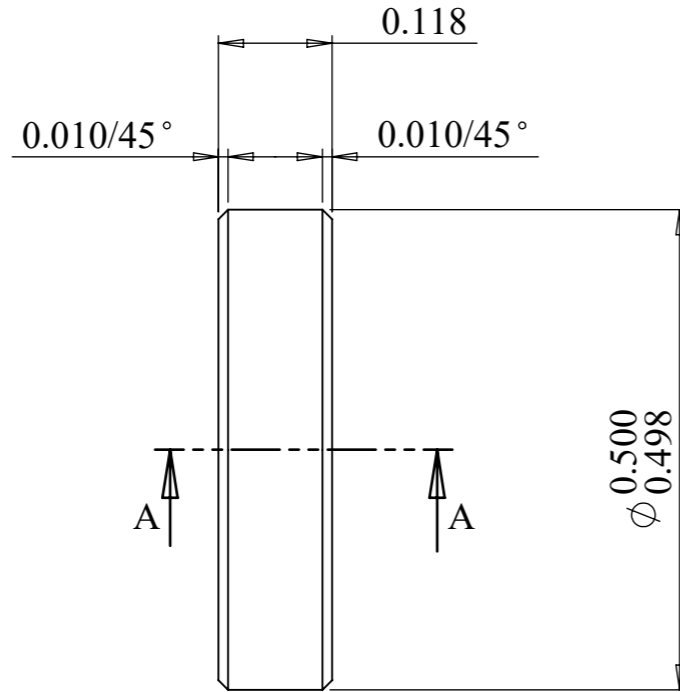
Pulse Plasma Nitride

xxx

Laser Etch xxx

CofC

xxx



SECTION A-A  
SCALE 5 : 1

Centre (Max. 0.010 Deep)  
Permissible

