

G&S Valves Ltd.

Alder Works, Catteshall Lane, Godalming, Surrey, GU7 1JS England
Ph. +44 (0) 1483415444, Fax: +44 (0) 01483 426891
Web. www.GSValves.co.uk, E-Mail GSVValves@aol.com



Drawn: A.R.Grenside

Weight: 117.01 Grams

Customer: **John Powner**

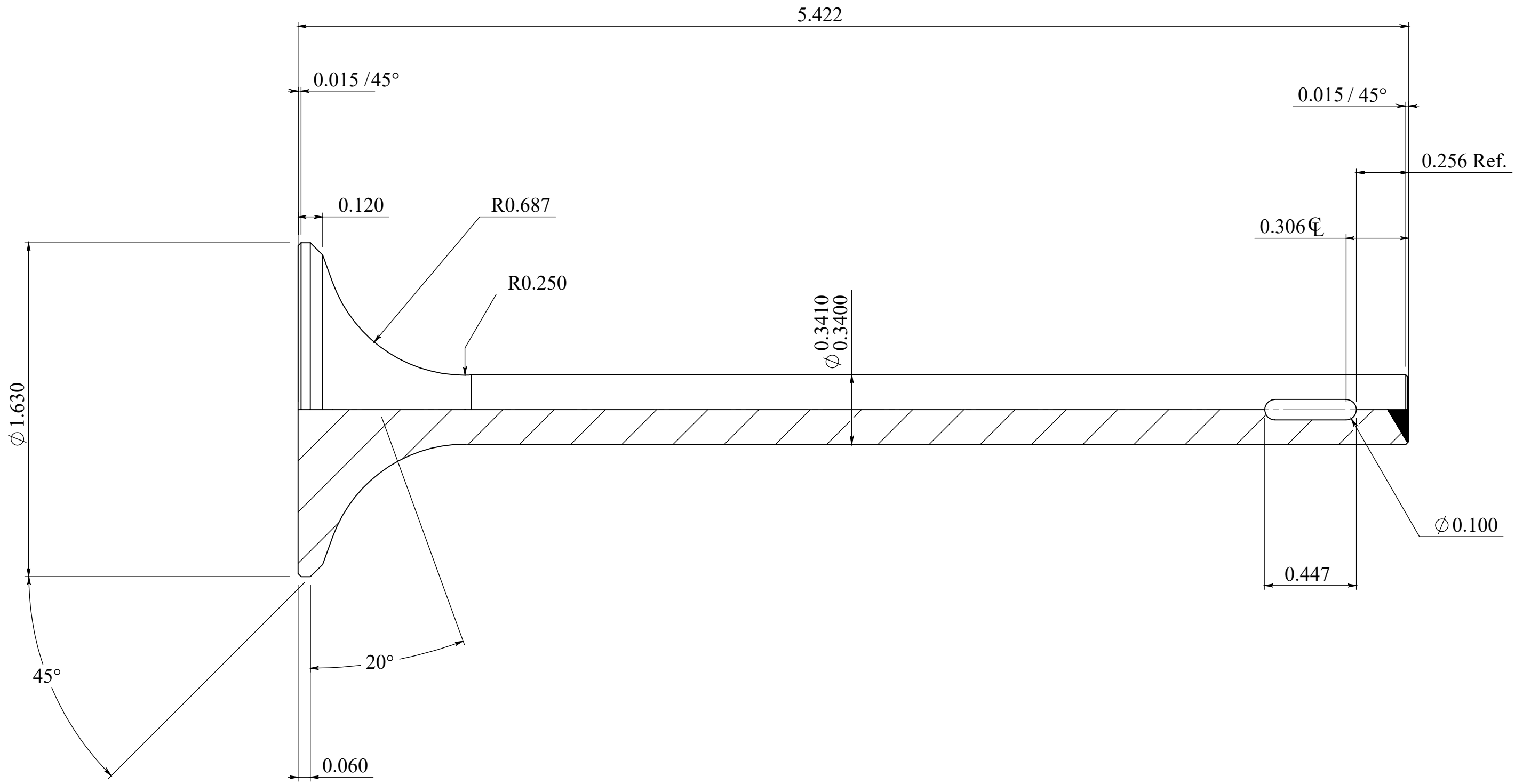
Dwg No. **61387**

Issue: 1 A3

SCALE:2:1 1 of 2

Date: 16.07.2020

Material: 214N



Stellite Tip

Underhead Gauge X ϕ 1.436
Underhead Gauge Z 0.133

Seat Gauge X ϕ 1.570
Seat Gauge Z 0.090

G&S Valves Ltd.

Alder Works, Catteshall Lane, Godalming, Surrey. GU7 1JS England
 Ph. +44 (0) 1483415444, Fax: +44 (0) 01483 426891
 Web. www.GSValves.co.uk, E-Mail GSValves@aol.com



Drawn: A.R.Grenside

Weight: 117.01 Grams

Customer: **John Powner**

Dwg No. **61387**

Issue: **1** A3

Scale: 5:1 2 of 2

Date: **16.07.2020**

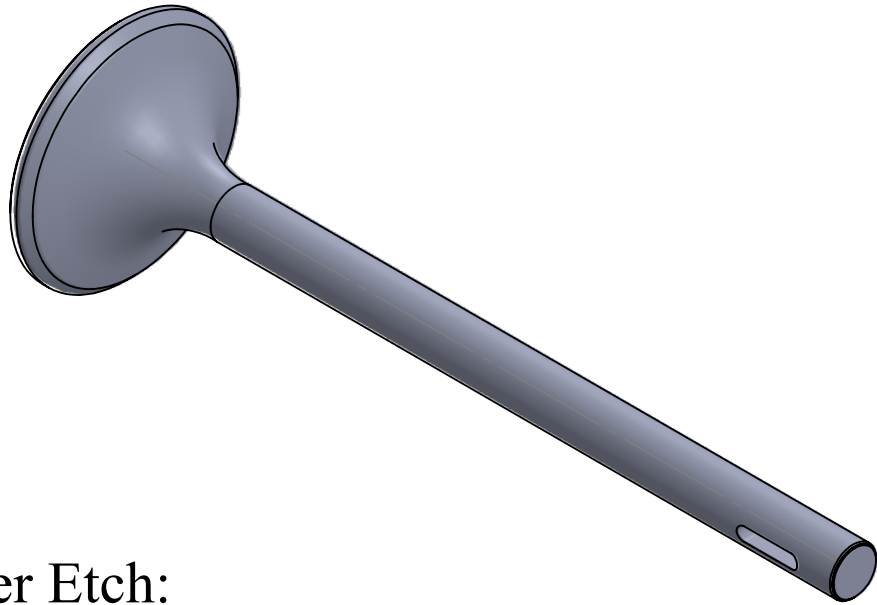
Material: **214N**

This drawing and any information or descriptive material set out on it are the confidential and copyright property of G&S Valves Ltd. and MUST NOT BE DISCLOSED, COPIED, LOANED in whole or part or used for any purpose without the written permission of G&S Valves Ltd.

Unless Otherwise Stated:
 Linear Tol.: **±0.2**, Angular Tol.: **0°15'**
 Surface Finish: **0.8µm**
 All Dimensions: **mm**
 Drawing Produced In
 Accordance With: **BS8888**

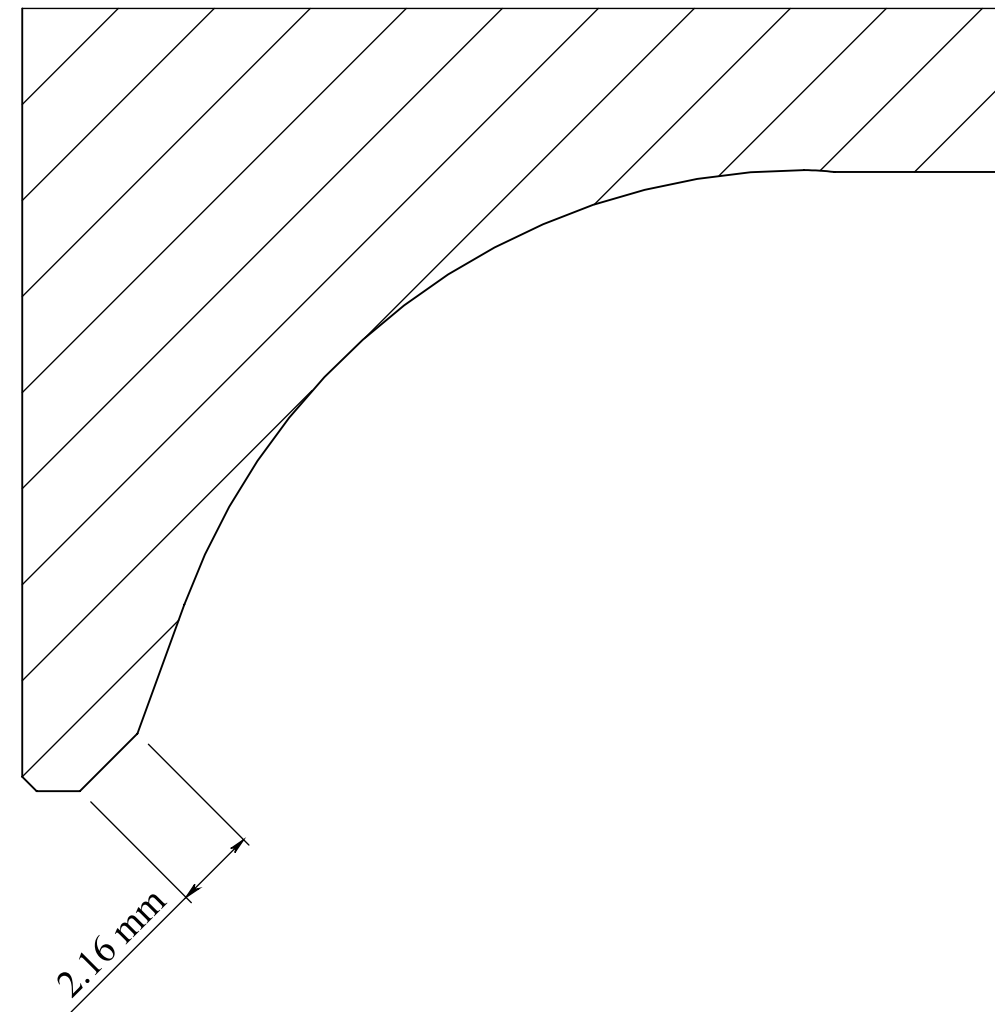
Volume of Dish: **CC**

Stabilised	Mask Tips	Stellite Seat	Die Finish Head
100% Inspection	Lap Tips	Harden Seat	Die Finish Underhead
ISIR Report	Super Polished	Pulse Plasma Nitride *	Hollow Stems
CofC	Swirl Polish	Tufftride	Sodium Filled



Laser Etch:
 Stamp:
 Chemical Etch:

Issue Changes:



A

A

B

B

C

C

D

D

E

E

F

F

8

7

6

5

4

3

2

1

8

7

6

5

4

3

2

1